



## WTPD-H\*\*9-40L\*-D

### 2.5Gbps SFP Optical Transceiver 40K m DDM (1270-1610 nm)

#### 1.Feature:

- SFP package with LC connector
- 1270-1610nm CWDM DFB laser with Isolator and PIN photo detector
- Up to 40Km transmission on SMF
- +3.3V single power supply
- LVPECL compatible data input/output interface
- Low EMI and excellent ESD protection
- laser safety standard IEC-60825 compliant
- Digital Diagnostic SFF-8472 compliant
- Compatible with RoHS



#### 2.Application

- Ethernet
- Telecom
- Fiber Channel

#### 3.Absolute Maximum Ratings

Parameter	Symbol	Minimum	Maximum	Units
Storage Temperature	Tst	-40	+85	°C
Supply Voltage	Vcc	0	+3.6	V





Operating Relative Humidity	RH	5	95	%
-----------------------------	----	---	----	---

## 4.Operation Environment

Parameter		Symbol	Min	Typical	Max	Units
Supply Voltage		Vcc	3.15	3.3	3.45	V
Operating Case Temperature	Commercial	Tc	0		+70	°C
	Industrial		-40		+85	
Power Dissipation					1	W
Data Rate				2500		Mbps

## 5.Optical Characteristics

(Ambient Operating Temperature 0°C to +70°C, Vcc =3.3 V)

Parameter	Symbol	Min.	Typ.	Max.	Units
<b>Transmitter Section</b>					
Center Wavelength	$\lambda_o$	1xx0-6.5	1xx0	1xx0+6.5	nm
Spectral Width(RMS)	$\Delta\lambda$	-	-	1	nm
Side Mode Suppression Ratio	SMSR		35		
Average Output Power	Po	-3	-	4	dBm
Extinction Ratio	Er	8	-	-	dB
Rise/Fall Time(20%~80%)	Tr/Tf			0.26	ns
Total jitter	Tj			0.43	UI
Optical Eye Diagram	IEEE 802.3z and ANSI Fibre Channel Compatible				
<b>Receiver Section</b>					
Center Wavelength	$\lambda_o$	1270		1610	nm
Receiver Sensitivity	Rsen			-22	dBm
Receiver Overload	Rov	-3			dBm





Return Loss		12			dB
LOS Assert	LOS <sub>A</sub>	-36			dBm
LOS Dessert	LOS <sub>D</sub>			-23	dBm
LOS Hysteresis		0.5		4	

## 6. Electrical Characteristics

(Ambient Operating Temperature 0°C to +70°C, V<sub>cc</sub> =3.3 V)

Parameter	Symbol	Min.	Typ.	Max.	unit
<b>Transmitter Section</b>					
Input Differential Impedence	Z <sub>in</sub>	90	100	110	Ohm
Data Input Swing Differential	V <sub>in</sub>	500		2400	mV
TX Disable	Disable	2.0		V <sub>cc</sub>	V
	Enable	0		0.8	V
TX Fault	Assert	2.0		V <sub>cc</sub>	V
	Deassert	0		0.8	V
<b>Receiver Section</b>					
Output differential impedance	Z <sub>out</sub>		100		Ohm
Data Input Swing Differential	V <sub>out</sub>	370		2000	mV
Rx_LOS	Assert	2.0		V <sub>cc</sub>	V
	Deassert	0		0.8	V

## 7. EEPROM INFORMATION (A0) :





Addr	Field Size (Bytes)	Name of Field	HEX	Description
0	1	Identifier	03	SFP
1	1	Ext. Identifier	04	MOD4
2	1	Connector	07	LC
3-10	8	Transceiver	00 00 00 02 12 00 0D 01	Transmitter Code
11	1	Encoding	01	8B10B
12	1	BR, nominal	19	2500M bps
13	1	Reserved	00	
14	1	Length (9um)-km	28	40km
15	1	Length (9um)	64/C8/FF	
16	1	Length (50um)	00	
17	1	Length (62.5um)	00	
18	1	Length (copper)	00	
19	1	Reserved	00	
20-35	16	Vendor name	57 49 4E 54 4F 50 20 20 20 20 20 20 20 20 20 20	WINTOP
36	1	Reserved	00	
37-39	3	Vendor OUI	00 00 00	
40-55	16	Vendor PN	XX XX XX XX XX XX XX XX XX XX XX XX XX XX XX XX	ASC II
56-59	4	Vendor rev	31 2E 30 20	V1.0
60-61	2	Wavelength	06 0E	1550nm
62	1	Reserved	00	
63	1	CC BASE	XX	Check sum of byte 0~62
64-65	2	Options	00 1A	LOS, TX_DISABLE, TX_FAULT
66	1	BR, max	32	50%
67	1	BR, min	32	50%
68-83	16	Vendor SN	00 00 00 00 00 00 00 00 00 00 00 00 00 00 00 00	Unspecified
84-91	8	Vendor date code	XX XX XX 20	Year, Month, Day
92-94	3	Reserved	00	
95	1	CC_EXT	XX	Check sum of byte 64~94
96-255	160	Vendor specific		





## 8. Diagnostics

Parameter		Range	Accuracy	Unit	Calibration
Temperature	C	0 ~ 70	±5	°C	Internal
	I	-40 ~ 80	±5		
Voltage		0 ~ VCC	0.1	V	Internal
Bias Current		10 ~ 80	5	mA	Internal
Tx Power		-3 ~ +4	±2	dBm	Internal
Rx Power		-25 ~ -3	±3	dBm	Internal

## 9. Pin Description:

Pins	Name	Discription	NOTE
1	VeeT	Transmitter Ground	
2	Tx Fault	Transmitter Fault Indication	1
3	Tx Disable	Transmitter Disable	2
4	MOD DEF2	Module Definition 2	3
5	MOD DEF1	Module Definition 1	3
6	MOD DEF0	Module Definition 0	3
7	Rate Select	Not Connected	
8	LOS	Loss of Signal	4
9	VeeR	Receiver Ground	
10	VeeR	Receiver Ground	
11	VeeR	Receiver Ground	
12	RD-	Inv. Received Data Output	5
13	RD+	IReceived Data Output	5
14	VeeR	Receiver Ground	
15	VccR	Receiver Power	
16	VccT	Transmitter Power	
17	VeeT	Transmitter Ground	
18	TD+	Transmit Data Input	6
19	TD-	Inv. Transmit Data Input	6
20	VeeT	Transmitter Ground	



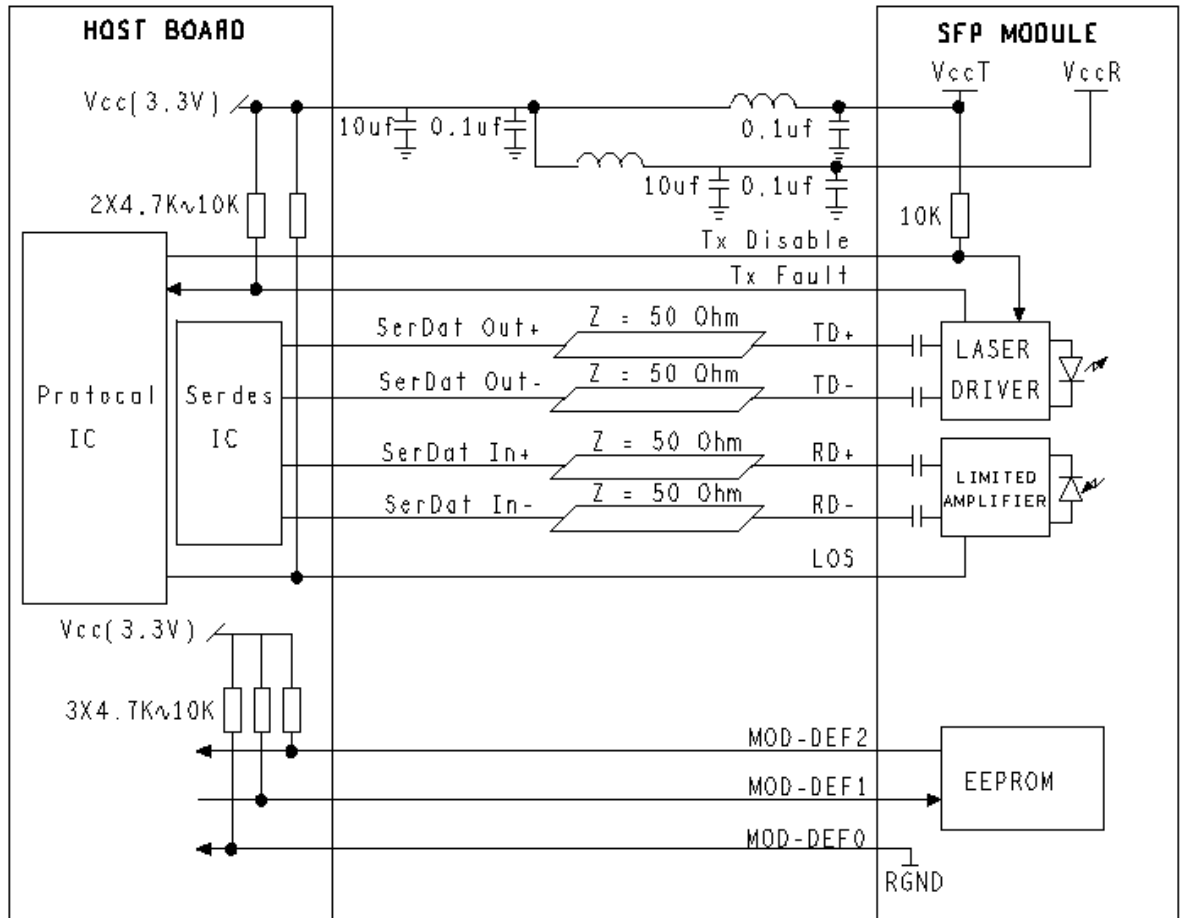


Notes:

1. TX Fault is an open collector output, which should be pulled up with a  $4.7k\sim 10k\Omega$  resistor on the host board to a voltage between 2.0V and  $V_{cc}+0.3V$ . Logic 0 indicates normal operation; logic 1 indicates a laser fault of some kind. In the low state, the output will be pulled to less than 0.8V.
2. TX Disable is an input that is used to shut down the transmitter optical output. It is pulled up within the module with a  $4.7k\sim 10k\Omega$  resistor. Its states are:  
Low (0~0.8V): Transmitter on  
(>0.8V, <2.0V): Undefined  
High (2.0~3.3V): Transmitter Disabled  
Open: Transmitter Disabled
3. MOD-DEF 0,1,2 are the module definition pins. They should be pulled up with a  $4.7k\sim 10k\Omega$  resistor on the host board. The pull-up voltage shall be  $V_{ccT}$  or  $V_{ccR}$ .  
MOD-DEF 0 is grounded by the module to indicate that the module is present  
MOD-DEF 1 is the clock line of two wire serial interface for serial ID  
MOD-DEF 2 is the data line of two wire serial interface for serial ID
4. LOS is an open collector output, which should be pulled up with a  $4.7k\sim 10k\Omega$  resistor on the host board to a voltage between 2.0V and  $V_{cc}+0.3V$ . Logic 0 indicates normal operation; logic 1 indicates loss of signal. In the low state, the output will be pulled to less than 0.8V.
5. These are the differential receiver output. They are internally AC-coupled  $100\Omega$  differential lines which should be terminated with  $100\Omega$  (differential) at the user SERDES.
6. These are the differential transmitter inputs. They are AC-coupled, differential lines with  $100\Omega$  differential termination inside the module.

## 10.Recommended Application Circuit







### 11.Outline drawing (mm):

